

Scorpion Script Form

Fixed Frame Wheelchair **90480**



| CLIENT DETAILS | Date: |
|-----------------|-------|
| Name: | |
| Address: | |
| Phone / Mobile: | |
| Email: | |

| |
|-------------------|
| Funder: |
| Therapist: |
| Contact Ph: |
| Email: |
| Delivery Details: |

| | |
|---|----------------------------------|
| Disability: | Trial Serial No.: |
| Weight: (actual) <input type="checkbox"/> <60kg <input type="checkbox"/> 60-100kg | Height: Shoe Size: T-Shirt Size: |

| FABRICATION INFORMATION |
|--|
| Include details of any Power adds and or front wheel/Freewheel (If necessary include diagrams and additional pages) |

| |
|------------------------------|
| Melrose Consultant / Dealer: |
|------------------------------|

| |
|-------------------|
| Chair Serial No.: |
| Date Ordered: |
| Date Required: |

| | |
|--|------------|
| Script checked and approved for build: | Date: |
| Name: | Signature: |

Scorpion Script Form

Fixed Frame Wheelchair

90480



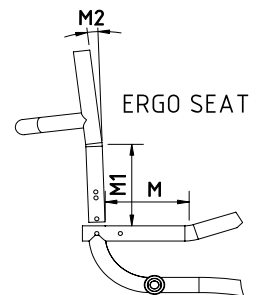
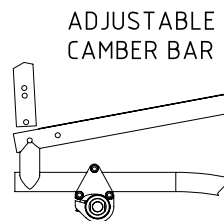
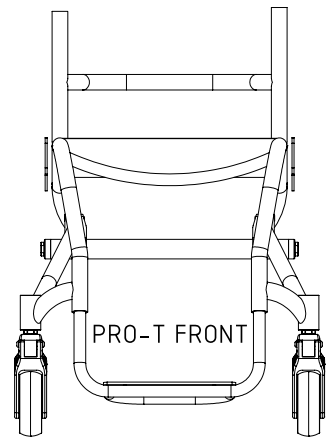
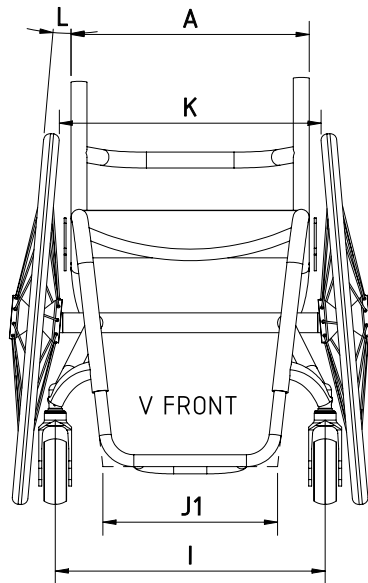
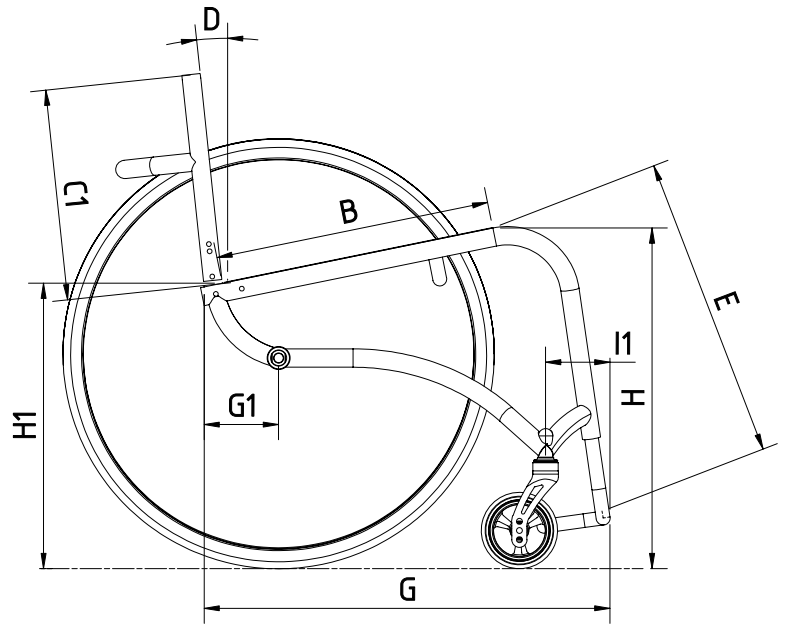
Client Name: _____

Chair Serial No.: _____

MEASUREMENTS (Refer to diagrams)

- Frame: Titanium 90480 - Std 1" tubing
 Ultralight - 3/4" bottom rail

| | |
|----|---|
| A | Seat Width |
| B | Seat Length |
| C1 | Back Height |
| | <input type="checkbox"/> Fixed <input type="checkbox"/> Adjustable - Height Back Rest Style <input type="checkbox"/> Fixed <input type="checkbox"/> Folding AD10994 <input type="checkbox"/> Folding/Locking AD11250 |
| D | Back Angle° |
| E | Seat to Footplate |
| | <input type="checkbox"/> Fixed <input type="checkbox"/> Adjustable - Position |
| G | Frame Length |
| G1 | Balance Point (COG) |
| H | Seat to Floor - Front |
| H1 | Seat to Floor - Rear |
| I | Castor Pivot Centres |
| I1 | Castor Pivot Position |
| J1 | Footplate Width |
| K | Between Wheels |
| L | Camber <input type="checkbox"/> 0° <input type="checkbox"/> 1° <input type="checkbox"/> 2° <input type="checkbox"/> 3° <input type="checkbox"/> 4° <input type="checkbox"/> 5° Camber Bar Position <input type="checkbox"/> Fixed <input type="checkbox"/> Adjustable - Position AD10990 Front Hanger Style <input type="checkbox"/> V Front <input type="checkbox"/> Pro T Front <input type="checkbox"/> Ergo Seat Option AD10220 |
| M | Ergo Seat Length |
| M1 | Ergo Back Height |
| M2 | Ergo Back Angle° |
| | Pivots <input type="checkbox"/> STD <input type="checkbox"/> BULLET |



Scorpion Script Form

Fixed Frame Wheelchair

90480

Client Name: _____

Chair Serial No.: _____

FOOTPLATE

| | |
|--|---------|
| <input type="checkbox"/> Standard | Std |
| <input type="checkbox"/> Angle adjustable | AD11520 |
| <input type="checkbox"/> ABS on footplate | AD11500 |
| <input type="checkbox"/> Fabric padded cover | AD11510 |
| <input type="checkbox"/> Carbon Fibre cover | AD11506 |
| <input type="checkbox"/> ABS with sides | AD11505 |
| <input type="checkbox"/> Custom: | |

CASTORS

| | |
|--|---------|
| <input type="checkbox"/> 3" Rollerblade | Std |
| <input type="checkbox"/> 4" x 1.25" wide solid composite | Std |
| <input type="checkbox"/> 5" x 1" solid composite | Std |
| <input type="checkbox"/> 3" x 1.5" alloy soft roll | AD11800 |
| <input type="checkbox"/> 4" x 1.25" wide alloy | AD11710 |
| <input type="checkbox"/> 4" x 1.5" alloy soft roll | AD11806 |
| <input type="checkbox"/> 5" x 1" alloy | AD11740 |
| <input type="checkbox"/> 5" x 1.5" wide solid composite | AD11720 |
| <input type="checkbox"/> 5" x 1.5" wide alloy | AD11721 |
| <input type="checkbox"/> 5" x 1.5" alloy soft roll | AD11810 |
| <input type="checkbox"/> Custom: | |

FORKS

| | |
|--|---------|
| <input type="checkbox"/> Standard forks - black (for std pivots only) | Std |
| <input type="checkbox"/> Ultralight bearing forks (for bullet pivots only) | Std |
| <input type="checkbox"/> Frog Legs suspension Carbon | AD11951 |
| <input type="checkbox"/> Frog Legs Unitine | AD11920 |
| <input type="checkbox"/> Custom: | |

BRAKES

| | |
|--|---------|
| <input type="checkbox"/> Nil | |
| <input type="checkbox"/> Push to lock <input type="checkbox"/> Reverse handles | Std |
| <input type="checkbox"/> Scissor | Std |
| <input type="checkbox"/> Scissor lock composite | Std |
| <input type="checkbox"/> Melrose L scissor | AD14522 |
| <input type="checkbox"/> Melrose L scissor w/spring | AD14524 |
| <input type="checkbox"/> Pull to lock | AD14510 |
| <input type="checkbox"/> Hill climbers | AD14530 |
| <input type="checkbox"/> Push to lock composite | AD14571 |
| <input type="checkbox"/> Eagle scissor <input type="checkbox"/> Black <input type="checkbox"/> Red <input type="checkbox"/> Blue | AD14573 |
| <input type="checkbox"/> Superlock push to lock with brake extensions | AD14560 |
| <input type="checkbox"/> D's locks | AD14600 |
| <input type="checkbox"/> Brake extensions <input type="checkbox"/> Left only <input type="checkbox"/> Right only | AD14550 |
| <input type="checkbox"/> Custom: | |

PUSH HANDLES

| | |
|--|---------|
| <input type="checkbox"/> Nil | |
| <input type="checkbox"/> Height adj dual clamp | AD14120 |
| <input type="checkbox"/> Foldable composite | AD14160 |
| <input type="checkbox"/> Fold down alloy, with rubber grip | AD14161 |
| <input type="checkbox"/> Fold down alloy, snaplock | AD14162 |
| <input type="checkbox"/> In back canes | AD14140 |
| <input type="checkbox"/> Removable on grab bar | AD14100 |
| PUSH HANDLE(S) SET AT HEIGHT: | |
| <input type="checkbox"/> Custom: | |

ANTI TIPS

| | |
|--|---------|
| <input type="checkbox"/> Nil | |
| <input type="checkbox"/> Plastic wheels | AD15000 |
| <input type="checkbox"/> Rollerblades | AD15030 |
| <input type="checkbox"/> Latch flip up | AD15022 |
| <input type="checkbox"/> Single centre mount with plastic wheel | AD15070 |
| <input type="checkbox"/> Single centre mount with roller blade | AD15080 |
| <input type="checkbox"/> Double mount one piece swivel anti tip with rollerblade | AD15150 |
| <input type="checkbox"/> Custom: | |

Scorpion Script Form

Fixed Frame Wheelchair

90480

Client Name: _____

Chair Serial No.: _____

SKIRTGUARDS

NOTE: Folding Skirt Guards Limit Brake Options *

| | | |
|-----------------------------|--|---------|
| <input type="checkbox"/> | Nil | |
| <input type="checkbox"/> | Fabric skirt guards | AD16100 |
| <input type="checkbox"/> | ABS fabric covered | AD16120 |
| <input type="checkbox"/> | ABS drop in | AD16110 |
| <input type="checkbox"/> | Carbon fibre drop in | AD16162 |
| <input type="checkbox"/> | Alloy fixed | AD16130 |
| <input type="checkbox"/> | Alloy folding | AD16140 |
| <input type="checkbox"/> | Carbon fibre fixed | AD16161 |
| <input type="checkbox"/> | Carbon fibre folding with back * | AD16160 |
| <input type="checkbox"/> | Carbon fibre slotted folding (through) | AD16158 |
| <input type="checkbox"/> | Carbon fibre fold in (on to sling) | AD16172 |
| <input type="checkbox"/> | Carbon fibre flip back | AD16174 |
| <input type="checkbox"/> | Alloy flip back | AD16141 |
| <input type="checkbox"/> | Carbon fibre drop in fenders | AD16163 |
| <input type="checkbox"/> | Alloy drop in mud guard | AD16164 |
| SKIRT GUARDS SET AT HEIGHT: | | |
| <input type="checkbox"/> | Custom: | |

UPHOLSTERY - Seating

| | | |
|---|-------------------------------------|---------|
| <input type="checkbox"/> | Sling - screwed down | Std |
| <input type="checkbox"/> | Sling - full straps | Std |
| Sling Velcro: <input type="checkbox"/> Hook <input type="checkbox"/> Loop | | |
| <input type="checkbox"/> | Solid alloy base | AD18030 |
| <input type="checkbox"/> | Solid carbon base | AD18031 |
| <input type="checkbox"/> | Tension adjustable back | AD16010 |
| <input type="checkbox"/> | Lightweight tension adjustable back | Std |
| <input type="checkbox"/> | No back upholstery | |
| <input type="checkbox"/> | To fit solid back: | |
| <input type="checkbox"/> | Cushion 1" | AD16201 |
| <input type="checkbox"/> | Cushion 2" | AD16202 |
| <input type="checkbox"/> | Cushion 3" | AD16203 |
| <input type="checkbox"/> | Custom: | |

UPHOLSTERY - Bags

| | | |
|--------------------------|--|---------|
| <input type="checkbox"/> | Bag on front hanger - left | AD16620 |
| <input type="checkbox"/> | Bag on front hanger - right | AD16620 |
| <input type="checkbox"/> | Bag on back of chair | AD16680 |
| <input type="checkbox"/> | Bag under chair | AD16600 |
| <input type="checkbox"/> | Bag under chair - Net | AD16650 |
| <input type="checkbox"/> | Bag under chair - quick release, small | AD16601 |
| <input type="checkbox"/> | Wallet / phone holder | AD16622 |
| <input type="checkbox"/> | Drink bottle holder | AD16624 |
| <input type="checkbox"/> | Custom: | |

UPHOLSTERY - Leg Supports

| | | |
|--------------------------|-------------------------------|---------|
| <input type="checkbox"/> | Leg strap | Std |
| <input type="checkbox"/> | Padded calf strap | AD16320 |
| <input type="checkbox"/> | Body Point calf strap - Size: | |

UPHOLSTERY - Impact Guards

(Impact guards made only if suitable after fitting anti tips, push handles etc.)

| | | |
|--------------------------|---|---------|
| <input type="checkbox"/> | Front hanger impact guards - Webbing Fabric | AD16400 |
| <input type="checkbox"/> | Front hanger impact guards - Neoprene | AD16401 |
| <input type="checkbox"/> | Front hanger impact guards - Leather | AD16402 |
| <input type="checkbox"/> | Grab bar impact guards | AD16420 |
| <input type="checkbox"/> | Bottom bar impact guards | AD16422 |

SEAT BELT

| | | |
|--------------------------|--------------------------|---------|
| <input type="checkbox"/> | Car buckle | AD16522 |
| <input type="checkbox"/> | Plastic buckle | AD16500 |
| <input type="checkbox"/> | Body Point - Size/Style: | |

FRAME COLOURS

Beadblast
StdPolished
AD10120

(Powder coat colours are not recommended on Titanium frames.)

Scorpion Script Form

Fixed Frame Wheelchair

90480

Client Name: _____

Chair Serial No.: _____

STANDARD REAR WHEELS (for BMX - see Spare Wheels)

| | | 22 | 24 | 25 | 26 |
|--------|-----|--------------------------|--------------------------|--------------------------|--------------------------|
| Spoked | Std | <input type="checkbox"/> | <input type="checkbox"/> | <input type="checkbox"/> | <input type="checkbox"/> |

PERFORMANCE REAR WHEELS

| | | 22 | 24 | 25 | 26 |
|---|---------|--------------------------|--------------------------|--------------------------|--------------------------|
| Spinergy L Spox (18 spoke) | Std | | <input type="checkbox"/> | <input type="checkbox"/> | <input type="checkbox"/> |
| Spinergy LX Lite (12 spoke) | Std | <input type="checkbox"/> | <input type="checkbox"/> | <input type="checkbox"/> | <input type="checkbox"/> |
| Spinergy LX with FlexRim (black only) | AD13315 | | <input type="checkbox"/> | <input type="checkbox"/> | |
| Spinergy XLX (12 spoke cross laced) | AD13312 | | <input type="checkbox"/> | <input type="checkbox"/> | <input type="checkbox"/> |
| Spinergy Blade (18 spoke) | AD13317 | <input type="checkbox"/> | <input type="checkbox"/> | <input type="checkbox"/> | <input type="checkbox"/> |
| Spinergy Carbon CLX (18 spoke) | AD13318 | | <input type="checkbox"/> | <input type="checkbox"/> | |
| Spinergy Sport SLX (24 spoke large hub heavy duty - black only) | AD13420 | | <input type="checkbox"/> | <input type="checkbox"/> | <input type="checkbox"/> |
| Spinergy Sport XSLX (24 spoke cross laced - black only) | AD13314 | | <input type="checkbox"/> | <input type="checkbox"/> | <input type="checkbox"/> |
| Custom wheel (specify below) | | <input type="checkbox"/> | <input type="checkbox"/> | <input type="checkbox"/> | <input type="checkbox"/> |
| - | | | | | |

SPINERGY SPOKE COLOUR (Optional)

(Colour spokes not available on Carbon, Sports and FlexRim wheels)

| | |
|-----------------------------|--|
| Spinergy L Spox | <input type="checkbox"/> Black <input type="checkbox"/> Red <input type="checkbox"/> Blue <input type="checkbox"/> White <input type="checkbox"/> Yellow |
| Spinergy LX, Spinergy Blade | <input type="checkbox"/> Black <input type="checkbox"/> Red <input type="checkbox"/> Blue <input type="checkbox"/> White <input type="checkbox"/> Yellow |
| | <input type="checkbox"/> Green <input type="checkbox"/> Purple <input type="checkbox"/> Pink <input type="checkbox"/> Orange |
| Custom - | |

AXLES

| | | |
|--|---------|--|
| <input type="checkbox"/> Quick Release | Std | |
| <input type="checkbox"/> Quad Release | AD12500 | |

TYRES

| | | 22 | 24 | 25 | 26 |
|-----------------------------------|---------|--------------------------|--------------------------|--------------------------|--------------------------|
| 1" HP Smooth | Std | <input type="checkbox"/> | <input type="checkbox"/> | <input type="checkbox"/> | <input type="checkbox"/> |
| 1" HP Tread | Std | | <input type="checkbox"/> | | |
| 1" Solid | Std | <input type="checkbox"/> | <input type="checkbox"/> | <input type="checkbox"/> | <input type="checkbox"/> |
| 1-3/8" Tread | Std | <input type="checkbox"/> | <input type="checkbox"/> | | <input type="checkbox"/> |
| 1-3/8" Solid | Std | <input type="checkbox"/> | <input type="checkbox"/> | | |
| 1-3/8" Kenda HP Tread | AD13710 | | <input type="checkbox"/> | | |
| 1-3/8" Knobbly V-Trak | AD13715 | | <input type="checkbox"/> | | |
| 1" Kenda Ironcap Blue | AD13700 | | <input type="checkbox"/> | <input type="checkbox"/> | |
| 1" Kenda Konstrictor | AD13720 | | <input type="checkbox"/> | <input type="checkbox"/> | |
| 1" Schwalbe Right Run | AD13740 | <input type="checkbox"/> | <input type="checkbox"/> | <input type="checkbox"/> | <input type="checkbox"/> |
| 1" Schwalbe Marathon Plus Evo | AD13750 | | <input type="checkbox"/> | <input type="checkbox"/> | <input type="checkbox"/> |
| 1-3/8" Schwalbe Marathon Plus Evo | AD13751 | | <input type="checkbox"/> | | |
| Custom - | | <input type="checkbox"/> | <input type="checkbox"/> | <input type="checkbox"/> | <input type="checkbox"/> |

PUSHRIMS

| | | 22 | 24 | 25 | 26 |
|--|---------|--------------------------|--------------------------|--------------------------|--------------------------|
| <input type="checkbox"/> Nil | | | | | |
| Hard Anodised | Std | <input type="checkbox"/> | <input type="checkbox"/> | <input type="checkbox"/> | <input type="checkbox"/> |
| Hard Anodised 1" | AD13855 | | <input type="checkbox"/> | | |
| Vinyl | AD13830 | <input type="checkbox"/> | <input type="checkbox"/> | <input type="checkbox"/> | <input type="checkbox"/> |
| Vinyl 1" | AD13859 | | <input type="checkbox"/> | <input type="checkbox"/> | |
| Foam | AD13840 | <input type="checkbox"/> | <input type="checkbox"/> | <input type="checkbox"/> | <input type="checkbox"/> |
| Foam 1" | AD13841 | | <input type="checkbox"/> | | |
| Rubber coated (black) | AD13850 | <input type="checkbox"/> | <input type="checkbox"/> | <input type="checkbox"/> | <input type="checkbox"/> |
| Rubber coated 1" | AD13857 | | <input type="checkbox"/> | <input type="checkbox"/> | |
| Surge Lite | AD13864 | <input type="checkbox"/> | <input type="checkbox"/> | <input type="checkbox"/> | <input type="checkbox"/> |
| Natural Fit Lite | AD13860 | <input type="checkbox"/> | <input type="checkbox"/> | <input type="checkbox"/> | <input type="checkbox"/> |
| <input type="checkbox"/> With thumb grip <input type="checkbox"/> Without thumb grip | | | | | |
| Max Grippe | AD13870 | | <input type="checkbox"/> | <input type="checkbox"/> | |
| Stainless Steel | AD13810 | <input type="checkbox"/> | <input type="checkbox"/> | <input type="checkbox"/> | <input type="checkbox"/> |
| Spinergy Stainless Textured | AD13811 | <input type="checkbox"/> | <input type="checkbox"/> | <input type="checkbox"/> | |
| Spinergy Max Stainless Textured (Ergo) | AD13812 | | <input type="checkbox"/> | <input type="checkbox"/> | |
| Q Grips | AD13865 | | <input type="checkbox"/> | <input type="checkbox"/> | <input type="checkbox"/> |
| Titanium | AD13820 | | <input type="checkbox"/> | <input type="checkbox"/> | <input type="checkbox"/> |
| Carbolife | AD13868 | | <input type="checkbox"/> | <input type="checkbox"/> | |
| <input type="checkbox"/> Curve <input type="checkbox"/> Curve Large | | | | | |
| <input type="checkbox"/> Curve Tetra <input type="checkbox"/> Curve Tetra Large | | | | | |
| <input type="checkbox"/> Gekko <input type="checkbox"/> Gekko S | | | | | |
| <input type="checkbox"/> Quadro | | | | | |

PUSHRIMS - Position

| | | |
|------------------------------|-----------------------------------|------------------------------------|
| <input type="checkbox"/> Std | <input type="checkbox"/> In Close | <input type="checkbox"/> On to rim |
|------------------------------|-----------------------------------|------------------------------------|

SPOKEGUARDS

| | | |
|--|---------|--|
| <input type="checkbox"/> Clear polycarb | AD13900 | |
| <input type="checkbox"/> Black ABS | AD13901 | |
| <input type="checkbox"/> Custom design (specify below) | AD13910 | |
| Design name - | | |

SPARE REAR WHEELS

| | |
|-------------------------------------|---------------------------------------|
| <input type="checkbox"/> BMX Wheels | <input type="checkbox"/> Extra Wheels |
| Description: | |
| Size: | |
| Tyre: | |
| Pushrim: | |
| Setting: | |
| To interchange with: | |