

Rhino Titanium Script Form

Offensive - High Point (suitable for 1.5-3.5 player) 90900T



To Order Fill in the frame dimensions and features required. For variations describe in detail on a separate page. If you have any further questions contact us at the address at the bottom of the page.

CLIENT DETAILS

Date	Disability
Name	Grading
Address	Weight
	Height
Phone	Shoe Size
Fax / Cell	T-Shirt Size
Email	

DELIVERY DETAILS

Required by _____
(Delivery is normally 4-6 weeks from order confirmation)

ADDITIONAL NOTES

(you can type here)

Name _____

FOOTPLATE

- No Footplate Alloy Footplate Cover - adjustable **AD11690** Custom Alloy Footplate Cover **AD11691**
 Alloy Footplate Cover - fixed **AD11690** Alloy Footplate Cover - 4 post **AD11692**
(Heavy Duty)

ANTI-TIPS

- Twin Swivel (wide set) **AD15151** Space required under Castor (max 20mm)
 Poly Plating on Anti Tip **AD15166** Anti Tip Protect - Straight Bar (height)

BEARINGS

- Standard Bearings Melrose Hybrid Ceramic Bearings **AD20400**

CASTORS

- 72 Rollerblade (std) Other _____

UPHOLSTERY

- Seat Sling (std) No Cushion Hip Strap - webbing **AD16510**
 Rhino Back Upholstery Adjustable Height only (std) _____ (width) Cushion 1" **AD16201** Hip Strap - ratchet **AD16550**
 Rhino Back Upholstery Adjustable Width and Height **AD16050** Cushion 2" **AD16202** Foot Strap - webbing **AD16333**
 Back Bar Cover **AD16420** Foot Strap - ratchet **AD16350**
 Leg Strap **AD16330**
 Chest Strap **AD45210**
(measure around your chest and seat back)

- Gloves (style & size) _____ Wheel Bag (Black with choice of trim colour) **AD16780** (Choose your trim colour) **Bk R Bl Y Gr Pk**
 Wheel Bag USA **AD16782** Classic Retro Dirty
 Custom Wheel Bag **AD16781** (describe below)

SKIRT GUARDS

- Fabric Skirt Guards **AD16100** Alloy Skirt Guards - screw on **AD16130** (height)

ACCESSORIES

- Ball Holder Mounts **AD20350**
 Titanium Studs **AD20300**

Seat Width - Rear _____

Seat Width - Front _____

A Seat Length _____

B Back Width _____

C Back Splay - Top _____

D Back Splay - Length _____

E Back Height _____

F Back Angle _____

G Seat to Footplate _____

H Frame Length
(centre of camber bar to front of frame) _____

I Overall Frame Length
(centre of camber bar to front of pick bar) _____

J Wheel Base
(centre of camber bar to centre of pivot) _____

K Seat to Floor - front _____

L Seat to Floor - rear _____

M Balance Point _____

N Pivot Centres 11.5 12 12.5 13 13.5 14

O Footplate Position _____

P Between Wheels _____

Q Camber _____

WINGS

Single Wings **AD20200**

Double Wings **AD20210T**

Inverted Wings **AD20220T**

Wing Height _____

PICK BAR

Titanium (welded) **AD20132**

Titanium (bolt on) **AD20131**

Steel (bolt on) **AD20120**

Width _____ Height _____

Angle _____ Code PB - _____

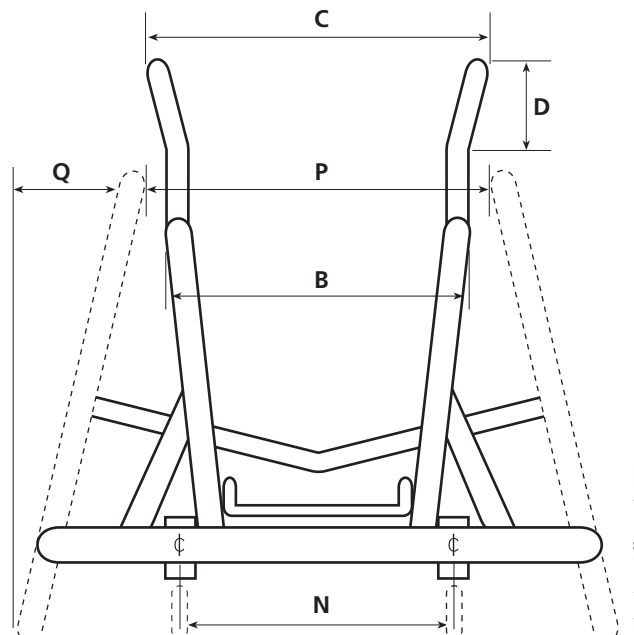
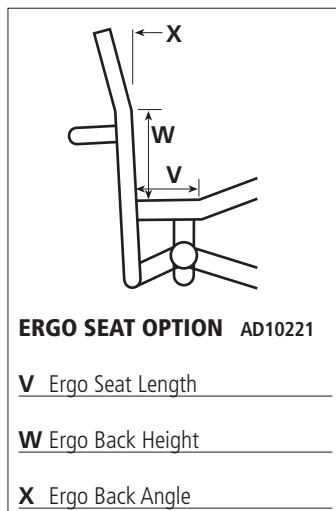
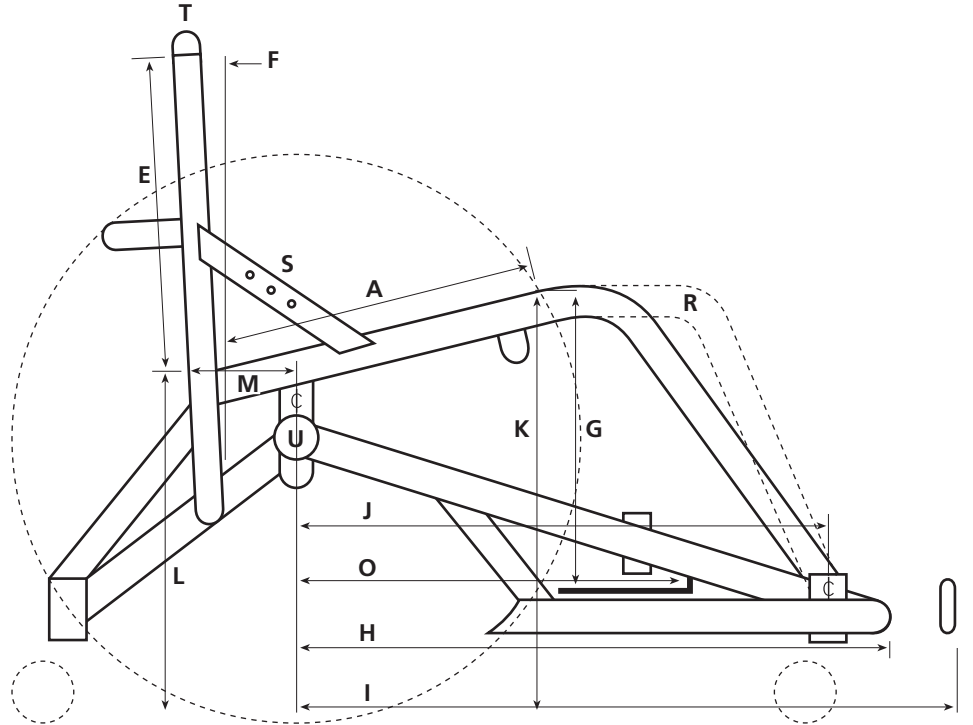
R Transfer Rail **AD20312**

S Holes for Bindings

T Flexible Backpost Cap **AD20310**
(only available with fixed back)

U Axle Receivers 1/2" (std)
 5/8" **AD12550**

Name _____



Name _____

NO WHEELS Set the wheelchair up for: _____

WHEELS

TYRES

24"

24"

- Spoked Wheels 1/2" axle (std)
- Spinergy SL Wheels 1/2" axle (24 spoke) **AD13410**
- Spinergy SLX Wheels 1/2" axle (24 spoke) **AD13420**
- Spinergy SLX Wheels 5/8" axle (24 spoke) **AD13430**

- 24" x 1" High Pressure Smooth (std)
- Kenda Ironcap Blue (std)
- Tufo Tubeless **AD13760**

25"

25"

- Spoked Wheels 1/2" axle **AD13060**
- Spinergy SL Wheels 1/2" axle (24 spoke) **AD13410**
- Spinergy SLX Wheels 1/2" axle (24 spoke) **AD13420**
- Spinergy SLX Wheels 5/8" axle (24 spoke) **AD13430**

- 25" x 1" High Pressure Smooth (std)
- Kenda Ironcap Blue (std)
- Tufo Tubeless **AD13760**

26"

26"

- Spoked Wheels 1/2" axle **AD13060**
- Spinergy SL Wheels 1/2" axle (24 spoke) **AD13410**
- Spinergy SLX Wheels 1/2" axle (24 spoke) **AD13420**
- Spinergy SLX Wheels 5/8" axle (24 spoke) **AD13430**

- 26" x 1" High Pressure Smooth (std)
- Kenda Ironcap Blue (std)
- Tufo Tubeless **AD13760**

PUSHRIMS

PUSHRIMS - POSITION

- Anodised Alloy (std)
- Rubber coated (red) **AD13845**

- Standard
- In close
- Onto rim

SPOKE GUARDS

- Nil
- Clear Polycarb Dish Spoke Guard **AD13920**
- Clear Polycarb Attacker Spoke Guard **AD13925**
- Oversized Slotted Black Poly Dish Spoke Guard **AD13935**
- 35mm hole
- Other hole (size) _____

SPOKE GUARDS with PUSHRIMS (ONE PIECE)

- Nil
- Alloy SG001 (16mm p/r) **AD13950**
- Alloy SG001 (19mm p/r) **AD13950**
- Alloy Poly SG006 (16mm p/r) **AD13955**
- Alloy Poly SG006 (19mm p/r) **AD13955**
- Alloy Poly Oversize SG006os **AD13956**
- Red Rubber Poly SG004 (16mm p/r) **AD13960**
- Red Rubber Poly SG004 (19mm p/r) **AD13960**

SPARE WHEELS as above

TYRES, TUBES and AXLES on SPARE WHEELS

- Spoked Wheel 24" **AD13507** (quantity) _____
- Spoked Wheel 25"/26" **AD13561** (quantity) _____
- Spinergy SL Wheel **AD13641** (quantity) _____
- Spinergy SLX Wheel 1/2" axle **AD13651** (quantity) _____
- Spinergy SLX Wheel 5/8" axle **AD13661** (quantity) _____

- Tube fitted **AD13695** (quantity) _____
- Kenda Tyre fitted **AD13701** (quantity) _____
- Axle 1/2" **AD12508** (quantity) _____
- Axle 5/8" **AD12510** (quantity) _____

SPOKE GUARDS for SPARE WHEELS as above FIT TO SPARE WHEEL DO NOT FIT TO SPARE WHEEL

- Clear Polycarb Dish Spoke Guard **AD13921** (quantity) _____
- Clear Polycarb Attacker Spoke Guard **AD13926** (quantity) _____
- Oversized Slotted Black Poly Dish Spoke Guard **AD13936** (quantity) _____
- Red Rubber Pushrim **AD13846** (quantity) _____
- Alloy SG001 **AD13951** (quantity) _____
- Alloy Poly SG006 **AD13954** (quantity) _____
- Alloy Poly Oversize SG006os **AD13957** (quantity) _____
- Red Rubber Poly SG004 **AD13961** (quantity) _____

EXTRA AXLES

EXTRA BEARINGS

- Axles 1/2" **AD12514**
- Axles 5/8" **AD12516**
- Steel 608 5/16" **AD20402**
- Steel R8 1/2" **AD20405**
- Ceramic 608 5/16" **AD20403**
- Ceramic R8 1/2" **AD20407**