

# Orion Script Form

Basketball Sports Wheelchair 90850



**To Order** Fill in the frame dimensions and features required. For variations describe in detail on a separate page. If you have any further questions contact us at the address at the bottom of the page.

Date \_\_\_\_\_

Name \_\_\_\_\_

Address \_\_\_\_\_

Phone \_\_\_\_\_

Fax / Cell \_\_\_\_\_

Email \_\_\_\_\_

Disability \_\_\_\_\_

Grading \_\_\_\_\_

Weight \_\_\_\_\_

Delivery details \_\_\_\_\_

Required by \_\_\_\_\_  
(Delivery is normally 4-6 weeks from order confirmation)

Height \_\_\_\_\_

Shoe Size \_\_\_\_\_

T-Shirt Size \_\_\_\_\_

## MEASUREMENTS (Refer to diagrams)

### Frame Materials

Aluminium (std)  Titanium 90850T

Seat Width - Rear \_\_\_\_\_ **F** Back Angle° \_\_\_\_\_

Seat Width - Front \_\_\_\_\_ **G** Seat to Footplate \_\_\_\_\_

**BT** Seat Taper starts \_\_\_\_\_ **G**  Seat to Footplate fixed position \_\_\_\_\_

**A** Back Width \_\_\_\_\_ **H** Frame Length \_\_\_\_\_  
(centre of camber bar to front of wing bar)

**B** Seat Length \_\_\_\_\_ **I** Wheel Base \_\_\_\_\_  
(centre of camber bar to centre of pivot)

**C** Back Splay - Top \_\_\_\_\_ **J** Seat to Floor - Front \_\_\_\_\_

**D** Back Splay - Length \_\_\_\_\_ **K** Seat to Floor - Rear \_\_\_\_\_

**E** Back Height \_\_\_\_\_ **L** Balance Point \_\_\_\_\_

**M** Pivot Centres \_\_\_\_\_

**N** Footplate Position \_\_\_\_\_

**O** Between Wheels \_\_\_\_\_

**P** Camber \_\_\_\_\_

**Q** Footplate Width \_\_\_\_\_

**R BINDING MOUNTS**

Std  Custom **AD20315 (A)**  
**AD20318 (T)**

**S**  Flexible Backpost Cap **AD20310**  
(fixed back height only)

**WING BAR**

**T**  **U**  **V**  **W**

**ERGO SEAT** **AD10220 (A)**  
**AD10221 (T)**

**X** Ergo Seat - Length \_\_\_\_\_

**Y** Ergo Back - Height \_\_\_\_\_

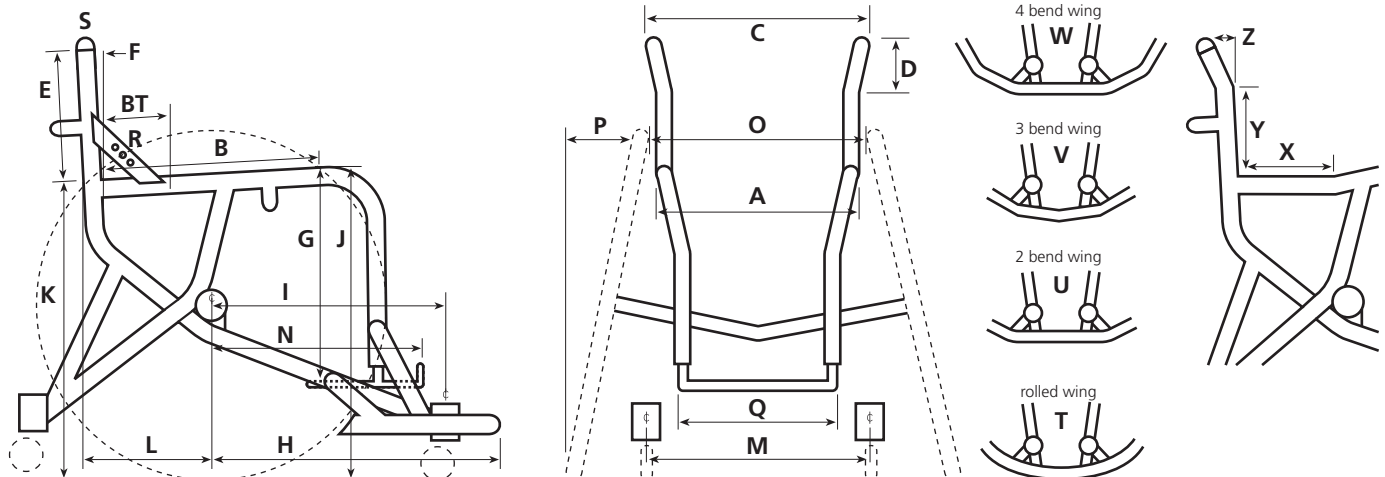
**Z** Ergo Back - Angle \_\_\_\_\_

**AXLE RECEIVERS** (Interchangeable)

1/2" Std  5/8" **AD12550**

## ADDITIONAL NOTES

(you can type here)



# Orion Script Form

## Basketball Sports Wheelchair

Name \_\_\_\_\_

**FOOTPLATE**

- No Footplate       Alloy tube footplate (std)       Alloy footplate cover **AD11690**

**ANTI-TIPS**

- Twin swivel **AD15150 (A)**  
**AD15151 (T)**       Single swivel **AD15100 (A)**  
**AD15102 (T)**

**BEARINGS**

- Standard bearings       Melrose hybrid ceramic bearings **AD20400**

**CASTORS**

- Rollerblade 72mm (std)       Other \_\_\_\_\_       Pivots protected (set back)

**UPHOLSTERY**

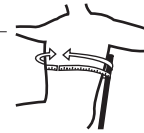
- Seat sling fixed (std)       Fixed width back (std)       No cushion       Cushion 3" **AD16203**  
 Seat sling wrap-around       Adjustable back upholstery with       Cushion 1" **AD16201**       Cushion 1" (high density) **AD16221**  
 Solid seat **AD18030**      adjustable width/height **AD16050**       Cushion 2" **AD16202**       Cushion 2" (high density) **AD16220**

**SKIRT GUARDS**

- No skirt guards       Fabric skirt guards **AD16100**       Alloy skirt guards **AD16125 (A)**  
**AD16130 (T)** (height) \_\_\_\_\_  
(welded to alloy frame, bolted to titanium frame)  
 ABS rigid skirt guards **AD16111** (height) \_\_\_\_\_

**STRAPS, IMPACT GUARDS**

- Front hanger covers **AD16400**       Hip strap - webbing **AD16510**       Leg strap **AD16330**  
 Back bar cover **AD16420**       Hip strap - ratchet **AD16550**       Chest strap **AD45210**  
 Foot strap - webbing (std)      (measure around your chest and seat back)  
 Foot strap - ratchet **AD16350**  
 Knee strap - ratchet **AD16351**

**ACCESSORIES**

- Wheel bag (black with choice of trim colour) **AD16780** (Choose your trim colour) **Bk R Bl Y Gr Pk Pu**       Custom Wheel Bag **AD16781**  
(describe below)

**ADDITIONAL NOTES**

(you can type here)

Name \_\_\_\_\_

**WHEELS****24"**

- Spoked Wheels (std)
- Spinergy SL Wheels 1/2" axle (24 spoke, black spokes only) **AD13410**
- Spinergy SLX Wheels 1/2" axle (24 spoke, black spokes only) **AD13420**
- Spinergy SLX Wheels 5/8" axle (24 spoke) **AD13430**

**25"**

- Spoked Wheels **AD13060**
- Spinergy SL Wheels 1/2" axle (24 spoke, black spokes only) **AD13410**
- Spinergy SLX Wheels 1/2" axle (24 spoke, black spokes only) **AD13420**
- Spinergy SLX Wheels 5/8" axle (24 spoke) **AD13430**

**26"**

- Spoked Wheels **AD13060**
- Spinergy SL Wheels 1/2" axle (24 spoke, black spokes only) **AD13410**
- Spinergy SLX Wheels 1/2" axle (24 spoke, black spokes only) **AD13420**
- Spinergy SLX Wheels 5/8" axle (24 spoke) **AD13430**

**27"**

- Spoked Wheels **AD13060**
- Spinergy SL Wheels 1/2" axle (24 spoke, black spokes only) **AD13410**
- Spinergy SLX Wheels 1/2" axle (24 spoke, black spokes only) **AD13420**
- Spinergy SLX Wheels 5/8" axle (24 spoke) **AD13430**

**TYRES****24"**

- Kenda Ironcap Blue (std)
- Kenda Konstrictor (std)
- Schwalbe Right Run **AD13740**
- Tufo Tubeless **AD13760**

**25"**

- Kenda Ironcap Blue (std)
- Kenda Konstrictor (std)
- Kenda Kaliente **AD13721**
- Schwalbe Right Run **AD13740**
- Tufo Tubeless **AD13760**

**26"**

- Kenda Ironcap Blue (std)
- Schwalbe Right Run **AD13740**
- Tufo Tubeless **AD13760**

**27"**

- 27" x 1" Kenda Ironcap Blue (std)
- Tufo Tubeless **AD13760**

**PUSHRIMS**

- Anodised alloy (std)  Rubber coated (red) **AD13845**

**PUSHRIMS - POSITION**

- Standard  In close  Onto rim

**SPOKE GUARDS**

- Nil  Pair of Spoke guards **AD13920**

**SPARE WHEELS as above**

- Spoked Wheel 24" **AD13507** (quantity) \_\_\_\_\_
- Spoked Wheel 25"/26"/27" **AD13561** (quantity) \_\_\_\_\_
- Spinergy SL Wheel **AD13641** (quantity) \_\_\_\_\_
- Spinergy SLX Wheel 1/2" axle **AD13651** (quantity) \_\_\_\_\_

**TYRES, TUBES and AXLES on SPARE WHEELS**

- Tube fitted **AD13695** (quantity) \_\_\_\_\_
- Kenda Tyre fitted **AD13701** (quantity) \_\_\_\_\_
- Schwalbe Tyre fitted **AD13741** (quantity) \_\_\_\_\_
- Tufo Tyre fitted **AD13760** (quantity) \_\_\_\_\_
- Axle 1/2" **AD12508** (quantity) \_\_\_\_\_

**SPOKE GUARDS for SPARE WHEELS as above**

- Fitted to spare wheel  Not fitted to spare wheel
- Spoke Guard **AD13921** (quantity) \_\_\_\_\_

**PUSHRIMS for SPARE WHEELS as above**

- Anodised alloy (std) \_\_\_\_\_
- Rubber coated (red) **AD13846** \_\_\_\_\_

**EXTRA AXLES**

- Axles 1/2" **AD12514** (quantity) \_\_\_\_\_
- Axles 5/8" **AD12516** (quantity) \_\_\_\_\_

**EXTRA BEARINGS**

- Steel 608 5/16" **AD20402** (quantity) \_\_\_\_\_
- Steel R8 1/2" **AD20405** (quantity) \_\_\_\_\_
- Ceramic 608 5/16" **AD20403** (quantity) \_\_\_\_\_
- Ceramic R8 1/2" **AD20407** (quantity) \_\_\_\_\_

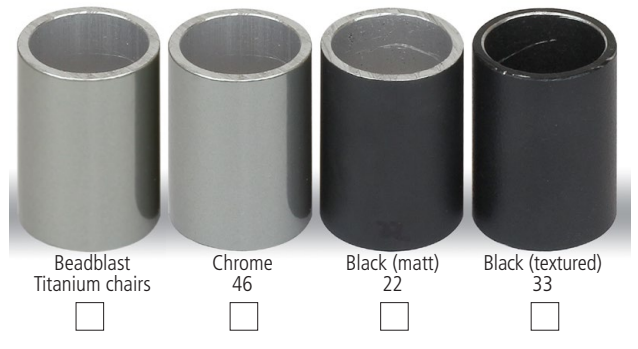
Name \_\_\_\_\_

**ATTENTION**

**THIS IS A GUIDE TO COLOURS ONLY, how colours appear on your monitor or when printed out may vary.**

Talk to us if you want your Titanium frame coloured or polished. *Colour availability is subject to change without notice.*

**STANDARD & ENABLE CLIENT COLOURS**



**GLASS COLOURS**



**CANDY COLOURS**



**CANDY COLOURS (SPECIAL)**



**FLUORESCENT COLOURS**

