

Korimako Script Form

Folding Frame Day Wheelchair

90055

Melrose
KIWI CONCEPT CHAIRS

To Order Fill in the frame dimensions and features required. For variations describe in detail on a separate page. If you have any further questions contact us at the address at the bottom of the page.

SEND FORM
If online, click here to send via e-mail

Date _____

Delivery details _____

Name _____

Address _____

Therapist details _____

Phone _____

Fax / Cell _____

Required by _____

Email _____

TRIAL CHAIR REF: _____

Disability _____ Weight _____ Height _____ Shoe Size _____ T-Shirt Size _____

MEASUREMENTS (Refer to diagram)

Frame Materials

Aluminium (std) Titanium **90055T**

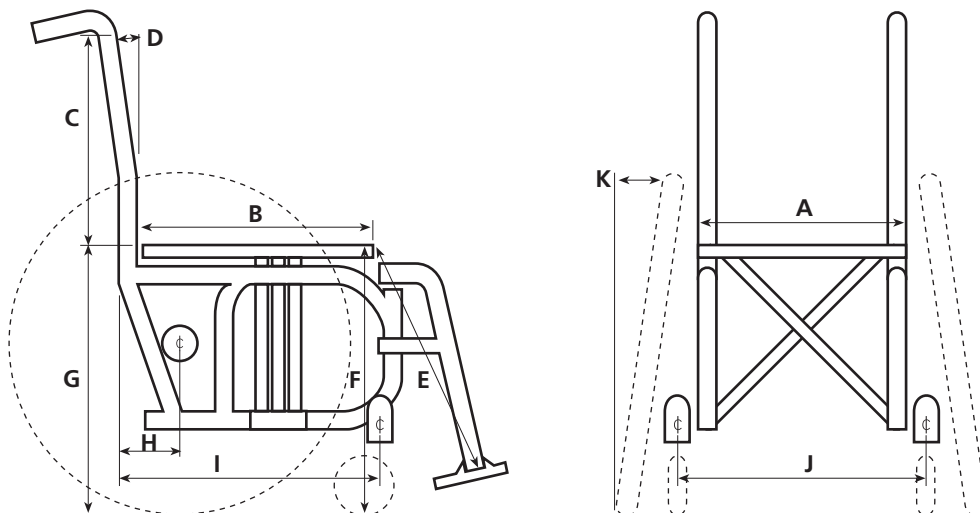
A Seat width _____ **C** Back height _____ **F** Seat to floor - front _____ **I** Pivot position _____

B Seat depth _____ **D** Back angle (0° or 5°) _____ **G** Seat to floor - rear _____ **J** Pivot centres _____

E Seat to footplate _____ **H** Balance point _____ **K** Camber (0°, 3°, 5°) _____

ADDITIONAL NOTES

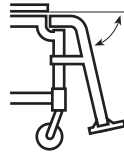
(you can type here)



Name _____

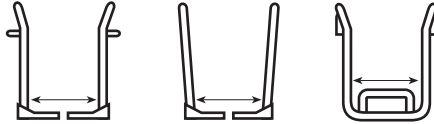
FOOTREST HANGER ANGLE

- 70°
- 80°
- 90°

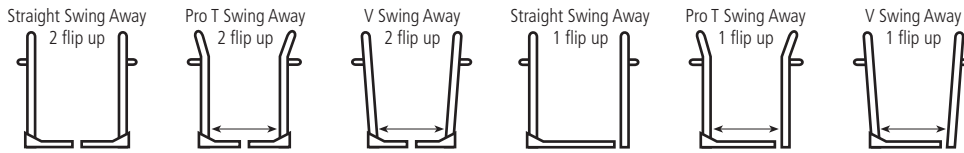


INTERNAL FOOTPLATE WIDTH

Internal width for Pro T and V style footplates only

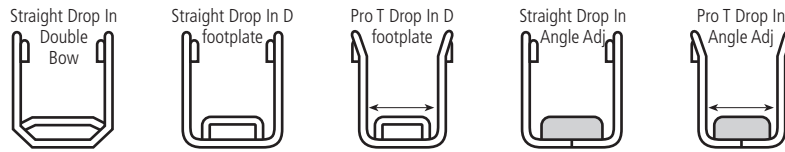


SWING AWAY FOOTREST



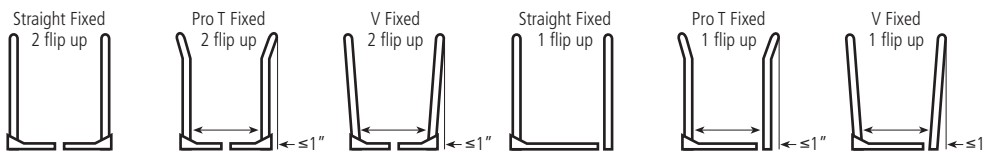
- Straight Hangers
- Pro T Hangers
- V Hangers
- 2 piece flip up plastic footplate (std)
- 2 piece flip up, angle adjustable footplates **AD11521**
- 1 piece flip up, angle adjustable, alloy footplate, opens to the left **AD11450**
- 1 piece flip up, angle adjustable, alloy footplate, opens to the right (pictured) **AD11450**

DROP IN FOOTREST



- Straight Hangers
- Pro T Hangers
- Double Bow style footplate (std)
- D style footplate (std)
- Angle adjustable alloy footplate **AD11520**
- ABS on footplate (not angle adjustable) **AD11500**

FIXED FRONT FOOTREST



* Maximum of 1" taper allowed on each side of the "Pro T Fixed" and the "V Fixed" footrests

- Straight Hangers
- Pro T Hangers
- V Hangers
- 2 piece flip up plastic footplate (std)
- 2 piece flip up, angle adjustable alloy footplates **AD11521**
- 1 piece flip up, angle adjustable, alloy footplate, opens to the left **AD11450**
- 1 piece flip up, angle adjustable, alloy footplate, opens to the right (pictured) **AD11450**

ELEVATING LEG REST Made for the Swing Away front only

- Left **AD11610**
- Right **AD11610**
- Both **AD11600**

STUMP SUPPORT Made for the Fixed and Swing Away fronts only

- Left **AD11650**
- Right **AD11650**
- Both **AD11651**
- Fixed
- Removable

Korimako Script Form

Folding Frame Day Wheelchair

Name _____

CASTORS

- | | | | |
|--|--|--|---|
| <input type="checkbox"/> Rollerblade (std) | <input type="checkbox"/> 5" solid (std) | <input type="checkbox"/> 6" solid (std) | <input type="checkbox"/> 8" solid AD11760 |
| <input type="checkbox"/> 4" solid (std) | <input type="checkbox"/> 5" solid alloy AD11740 | <input type="checkbox"/> 6" solid alloy AD11742 | <input type="checkbox"/> 8" pneumatic AD11780 |
| <input type="checkbox"/> 4" x 1.25" alloy AD11710 | <input type="checkbox"/> 5" x 1.5" solid AD11720 | <input type="checkbox"/> 6" x 1.5" solid AD11730 | <input type="checkbox"/> 8" floater AD11761 |
| <input type="checkbox"/> 4" wide soft roll AD11806 | <input type="checkbox"/> 5" x 1.5" alloy AD11740 | <input type="checkbox"/> 6" x 1.5" alloy AD11742 | |
| | <input type="checkbox"/> 5" wide soft roll AD11810 | <input type="checkbox"/> 6" wide soft roll AD11820 | |
| | | <input type="checkbox"/> 6" pneumatic AD11750 | |

FORKS

- Ultra light bearing forks (std) Frog Legs suspension AD11950

PUSH HANDLES

- Nil In back canes (std) Height adjustable dual clamp AD14120
 Foldable in back canes AD14160

BRAKES

- | | | | |
|--|--|--|---|
| <input type="checkbox"/> Nil | <input type="checkbox"/> Pull to lock AD14510 | <input type="checkbox"/> Scissor (std) | <input type="checkbox"/> Scissor Lock Composite AD14570 |
| <input type="checkbox"/> Push to lock (std) | <input type="checkbox"/> Brake extension left AD14550 | <input type="checkbox"/> Ergo Scissor AD14522 | <input type="checkbox"/> D's-Locks AD14600 |
| <input type="checkbox"/> Superlock <small>Push to Lock with Brake Extensions</small> AD14560 | <input type="checkbox"/> Brake extension right AD14550 | <input type="checkbox"/> Ergo Scissor w/spring AD14524 | <input type="checkbox"/> Hill climbers AD14530 |

ANTI-TIPS

- Nil With plastic wheels AD15000 Adjustable anti tips AD15010
 With rollerblades AD15030

ARMRESTS

- Nil T adjustable height with desk pad armrest AD15260
 T adjustable height with full length pad armrest AD15261
 T adjustable height desk pad armrest with ABS skirt guard AD15280
 T adjustable height full pad armrest with ABS skirt guard AD15281

UPHOLSTERY

- | | | | |
|--------------------------------------|--|---|--|
| <input type="checkbox"/> Sling (std) | <input type="checkbox"/> Standard back (std) | <input type="checkbox"/> No cushion | <input type="checkbox"/> Bag under chair AD16600 |
| | <input type="checkbox"/> Tension adjustable back AD16010 | <input type="checkbox"/> Cushion 1" AD16201 | <input type="checkbox"/> Bag on back of chair AD16680 |
| | | <input type="checkbox"/> Cushion 2" AD16202 | <input type="checkbox"/> Bag on right front hanger AD16620 |
| | | <input type="checkbox"/> Cushion 3" AD16203 | <input type="checkbox"/> Bag on left front hanger AD16620 |
| | | | <input type="checkbox"/> Wheel bag AD16780 |

SKIRT GUARDS

- Nil Fabric skirt guards AD16100 ABS skirt guards drop in AD16110

STRAPS, IMPACT GUARDS, SEAT BELTS

- | | | |
|---|--|--|
| <input type="checkbox"/> Leg strap (std) | <input type="checkbox"/> Fabric footplate cover AD11510 | <input type="checkbox"/> Seat belt - plastic buckle AD16500 |
| <input type="checkbox"/> Heel loop straps (std) | <input type="checkbox"/> Castor pivot covers AD16410 | <input type="checkbox"/> Seat belt - adults car buckle AD16527 |
| | <input type="checkbox"/> Impact guards front hangers AD16400 | |

Korimako Script Form

Folding Frame Day Wheelchair

Name _____

WHEELS**24"**

- Spoked Wheels (std)
- Spinergy Day Wheels (18 spoke) **AD13300** (Choose your spoke colour) **Bk R Bl W Y**
- Spinergy LX Wheels (12 spoke) **AD13310** (Choose your spoke colour) **Bk R Bl W Y Gr Pk O**
- Spinergy LX Wheels with FlexRim (12 spoke - black only) **AD13315**
- X Core Wheels (5 spoke) **AD13108**
- Spider Wheels **AD13100**
- Topolino Wheels **AD13350**
- Dino Wheels **AD13360** (Choose your spoke colour) **Bk R Bl Sv Go Gr Pk O LB Pu**
- BMX Wheels (std)

25"

- Spoked Wheels (std)
- Spinergy Day (18 spoke) **AD13300** (Choose your spoke colour) **Bk R Bl W Y**
- Spinergy LX (12 spoke) **AD13310** (Choose your spoke colour) **Bk R Bl W Y Gr Pk O**
- Spinergy LX Wheels with FlexRim (12 spoke - black only) **AD13315**
- X Core Wheels (3 spoke) **AD13200**
- Topolino Wheels **AD13350**
- Dino Wheels **AD13360** (Choose your spoke colour) **Bk R Bl Sv Go Gr Pk O LB Pu**
- BMX Wheels (std)

26"

- Spoked Wheels (std)
- Spinergy Day (18 spoke) **AD13300** (Choose your spoke colour) **Bk R Bl W Y**
- Spinergy LX (12 spoke) **AD13310**
- BMX Wheels (std)

 Spare Wheel(s) Type: _____

Tyres: _____ Pushrims: _____ Size: _____

TYRES**24"**

- 24" x 1" HP Smooth (std)
- 24" x 1" HP Tread (std)
- 24" x 1" Solid (std)
- 24" x 1-3/8" Tread (std)
- 24" x 1-3/8" Solid (std)
- 24" x 1-3/8" Kenda HP Tread **AD13710**
- 24" x 1-3/8" Knobbly V-Trak **AD13715**
- 24" x 1" Kenda Ironcap Blue **AD13700**
- 24" x 1" Kenda Konstrictor **AD13720**
- 24" x 1" Schwalbe Right Run **AD13740**
- 24" x 1" Schwalbe Marathon Evo **AD13750**
- BMX Tread (std)

25"

- 25" x 1" HP Smooth (std)
- 25" x 1" Solid (std)
- 25" x 1" Kenda Ironcap Blue **AD13700**
- 25" x 1" Kenda Konstrictor **AD13720**
- 25" x 1" Schwalbe Right Run **AD13740**
- 25" x 1" Schwalbe Marathon Evo **AD13750**
- BMX Tread (std)

26"

- 26" x 1" HP Smooth (std)
- 26" x 1-3/8" Tread (std)
- 26" x 1" Solid (std)
- 26" x 1" Schwalbe Right Run **AD13740**
- 26" x 1" Schwalbe Marathon Evo **AD13750**
- BMX Tread (std)

PUSHRIMS

- Anodised (std) Rubber coated (black) **AD13850** Foam **AD13840** Natural Fit Lite **AD13860**
- Anodised (1") **AD13855** Rubber coated (1") **AD13857** Spinergy FlexRim - see Wheels Max Greppe **AD13870**
- Vinyl **AD13830** Surge **AD13864**
- Vinyl (1") **AD13859** Surge Lite **AD13864** Capstan No. of projections: _____ Angle: _____ Length: _____

PUSHRIMS - POSITION

- Standard In close
- Onto rim

AXLES

- Quick release axles (std) Quad release **AD12500**

SPOKE GUARDS

- Clear polycarb **AD13900** Black ABS **AD13901**

Korimako Script Form

Folding Frame Day Wheelchair

Name _____

COLOURS

- 27 Candy Blue
- 1 Royal Blue
- 72 Glass Blue
- 16 Candy Purple
- 48 Burgundy
- 83 Candy Raspberry
- 88 Fluro Pink
- 28 Candy Red
- 11 Flame
- 57 Super Hot Chilli
- 80 Candy Orange
- 71 Pure Orange
- 68 Crystal Yellow
- 73 Crystal Jade
- 89 Fluro Green
- 70 Candy Emerald
- 2 Hawthorn Green
- 17 Crystal Sapphire

**ATTENTION**

THIS IS A GUIDE TO COLOURS ONLY, how colours appear on your monitor or when printed out may vary.

Contact us if you require assistance or a colour sample.

This colour selection is for our aluminum frames only.

We do not recommend powder coating titanium.

Colour availability is subject to change without notice, contact us if you are concerned about the availability of your colour.

- 55 Silver Sparkle
- 12 Silver Orbiter
- 46 Chrome
- 42 Metallic Viper
- 30 Satin Black
- 61 High Gloss Black
- 62 Matt Black
- 63 Texture Matt Black
- 18 Clear
- Bead Blast** (titanium only)
- Custom Colour** (additional cost)



Description