

# Hawk Growable Script

Growable Adjustable Squeeze Day Wheelchair 90420G



CLIENT DETAILS	Date:
Name:	
Address:	
Phone / Mobile:	
Email:	

Funder:
Therapist:
Contact Ph:
Email:
Delivery Details:

Disability:	Trial Serial No.:
Weight: (actual) <input type="checkbox"/> <60kg <input type="checkbox"/> 60-100kg	Height: Shoe Size: T-Shirt Size:

## FABRICATION INFORMATION

Include details of any Power Adds and or front wheel/Freewheel  
(If necessary include diagrams and additional pages)

Melrose Consultant / Dealer:

Chair Serial No.:
Date Ordered:
Date Required:

Script checked and approved for build:	Date:
Name:	Signature:

PAGE 2 OF 6

# Hawk Growable Script

Growable Adjustable Squeeze Day Wheelchair 90420G



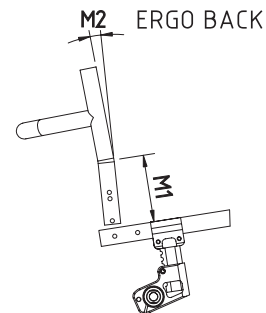
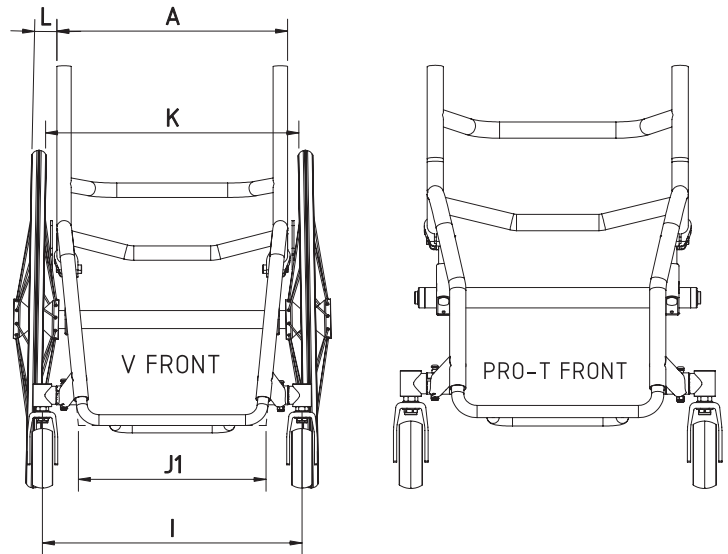
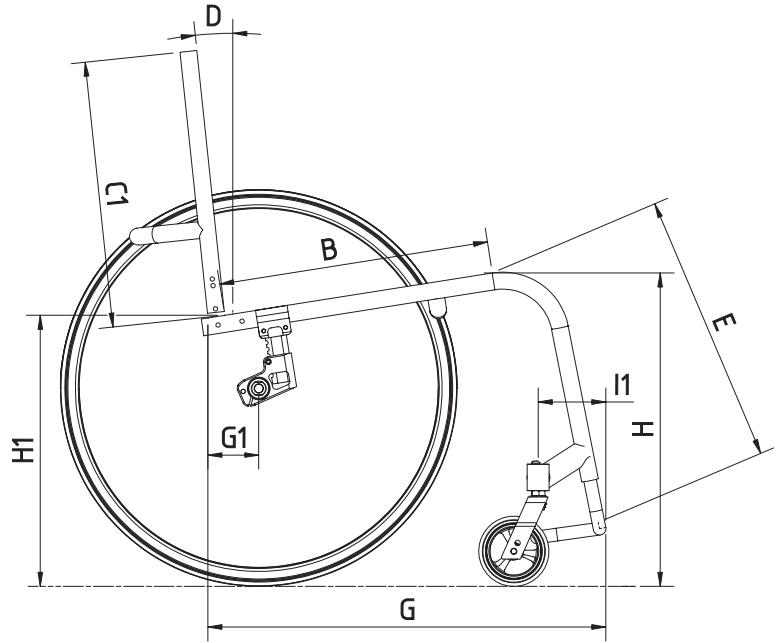
Client Name: \_\_\_\_\_

Chair Serial No.: \_\_\_\_\_

MEASUREMENTS (Refer to diagrams)

Frame:  Aluminium 90420G

A	Seat Width <input type="checkbox"/> 14" (growth kit 2")
B	Seat Length growable from 13" to 16" Set at:
C1	Back Height <input type="checkbox"/> Fixed <input type="checkbox"/> Adjustable + 3" growth included Back Rest Style <input type="checkbox"/> Folding
D	Back Angle°
E	Seat to Footplate
G	Frame Length
G1	Balance Point (COG)
H	Seat to Floor - Front
H1	Seat to Floor - Rear
I	Castor Pivot Centres
I1	Castor Pivot Position
J1	Footplate Width
K	Between Wheels
L	Camber <input type="checkbox"/> 0° <input type="checkbox"/> 1° <input type="checkbox"/> 2° <input type="checkbox"/> 3° <input type="checkbox"/> 4° <input type="checkbox"/> 5°
	Front Hanger Style <input type="checkbox"/> V Front <input type="checkbox"/> Pro T Front <input type="checkbox"/> Ergo Back Option AD10220
M1	Ergo Back Height
M2	Ergo Back Angle°



Client Name: \_\_\_\_\_

Chair Serial No.: \_\_\_\_\_

**FOOTPLATE**

<input type="checkbox"/> Standard	Std
<input type="checkbox"/> Angle adjustable	AD11520
<input type="checkbox"/> ABS on footplate	AD11500
<input type="checkbox"/> Fabric padded cover	AD11510
<input type="checkbox"/> Carbon Fibre cover	AD11506
<input type="checkbox"/> ABS with sides	AD11505
<input type="checkbox"/> Flip back	AD11452
<input type="checkbox"/> Custom:	

**CASTORS**

<input type="checkbox"/> 4" x 1.25" wide solid composite	Std
<input type="checkbox"/> 5" x 1" solid composite	Std
<input type="checkbox"/> 4" x 1.25" wide alloy	AD11710
<input type="checkbox"/> 4" x 1.5" alloy soft roll	AD11806
<input type="checkbox"/> 5" x 1" alloy	AD11740
<input type="checkbox"/> 5" x 1.5" wide solid composite	AD11720
<input type="checkbox"/> 5" x 1.5" wide alloy	AD11721
<input type="checkbox"/> 5" x 1.5" alloy soft roll	AD11810
<input type="checkbox"/> Custom:	

**FORKS**

<input type="checkbox"/> Standard forks - black (for std pivots only)	Std
<input type="checkbox"/> Ultralight bearing forks (for bullet pivots only)	AD11910
<input type="checkbox"/> Custom:	

**BRAKES**

<input type="checkbox"/> Nil	
<input type="checkbox"/> Push to lock <input type="checkbox"/> Reverse handles	Std
<input type="checkbox"/> Scissor	Std
<input type="checkbox"/> Melrose L scissor	AD14522
<input type="checkbox"/> Melrose L scissor w/spring	AD14524
<input type="checkbox"/> Pull to lock	AD14510
<input type="checkbox"/> Hill climbers	AD14530
<input type="checkbox"/> Push to lock composite	AD14571
<input type="checkbox"/> Scissor lock composite	AD14570
<input type="checkbox"/> Eagle scissor <input type="checkbox"/> Black <input type="checkbox"/> Red <input type="checkbox"/> Blue	AD14573
<input type="checkbox"/> Superlock push to lock with brake extensions	AD14560
<input type="checkbox"/> D's locks	AD14600
<input type="checkbox"/> Brake extensions <input type="checkbox"/> Left only <input type="checkbox"/> Right only	AD14550
<input type="checkbox"/> Custom:	

**PUSH HANDLES**

<input type="checkbox"/> Nil	
<input type="checkbox"/> Height adj dual clamp	AD14120
<input type="checkbox"/> Foldable composite	AD14160
<input type="checkbox"/> Fold down alloy, with rubber grip	AD14161
<input type="checkbox"/> Fold down alloy, snaplock	AD14162
<input type="checkbox"/> In back canes	AD14140
<input type="checkbox"/> Removable on grab bar	AD14100
<input type="checkbox"/> Ratchet Stroller	AD14300
PUSH HANDLE(S) SET AT HEIGHT:	
<input type="checkbox"/> Custom:	

**ANTI TIPS**

<input type="checkbox"/> Nil	
<input type="checkbox"/> Plastic wheels	AD15000
<input type="checkbox"/> Stainless steel with plastic wheels	AD15025
<input type="checkbox"/> Rollerblades	AD15030
<input type="checkbox"/> Stainless steel with rollerblades	AD15026
<input type="checkbox"/> Latch flip up	AD15022
<input type="checkbox"/> Double mount one piece swivel anti tip with rollerblade	AD15150
<input type="checkbox"/> Custom:	

**ARMRESTS**

<input type="checkbox"/> Nil	
<input type="checkbox"/> T height adjustable desk pad armrest	AD15260
<input type="checkbox"/> T height adjustable desk pad armrest with ABS skirt guard	AD15280
<input type="checkbox"/> Flip back, foam tube on back cane	AD15225
ARMRESTS SET AT HEIGHT:	
<input type="checkbox"/> Custom:	

Client Name: \_\_\_\_\_

Chair Serial No.: \_\_\_\_\_

**SKIRT GUARDS**

NOTE: Folding Skirt Guards Limit Brake Options \*

<input type="checkbox"/>	Nil	
<input type="checkbox"/>	Fabric skirt guards	AD16100
<input type="checkbox"/>	ABS fabric covered	AD16120
<input type="checkbox"/>	ABS drop in	AD16110
<input type="checkbox"/>	Carbon fibre drop in	AD16162
<input type="checkbox"/>	Carbon fibre drop in fenders	AD16163
<input type="checkbox"/>	Alloy drop in mud guard	AD16164
SKIRT GUARDS SET AT HEIGHT:		
<input type="checkbox"/>	Custom:	

**UPHOLSTERY - Seating**

<input type="checkbox"/>	Sling - Hybrid	Std
Sling Velcro: <input type="checkbox"/> Hook <input type="checkbox"/> Loop		
<input type="checkbox"/>	Tension adjustable back	AD16010
<input type="checkbox"/>	Standard back	Std
<input type="checkbox"/>	No back upholstery	
<input type="checkbox"/>	To fit solid back:	
<input type="checkbox"/>	Cushion 1"	AD16201
<input type="checkbox"/>	Cushion 2"	AD16202
<input type="checkbox"/>	Cushion 3"	AD16203
<input type="checkbox"/>	Custom:	

**UPHOLSTERY - Bags**

<input type="checkbox"/>	Bag on front hanger - left	AD16620
<input type="checkbox"/>	Bag on front hanger - right	AD16620
<input type="checkbox"/>	Bag on back of chair	AD16680
<input type="checkbox"/>	Bag under chair	AD16600
<input type="checkbox"/>	Bag under chair - Net	AD16650
<input type="checkbox"/>	Bag under chair - quick release, small	AD16601
<input type="checkbox"/>	Drink bottle holder	AD16624
<input type="checkbox"/>	Custom:	

**UPHOLSTERY - Leg Supports**

<input type="checkbox"/>	Leg strap	Std
<input type="checkbox"/>	Padded calf strap	AD16320
<input type="checkbox"/>	Body Point calf strap - Size:	

**UPHOLSTERY - Impact Guards**

(Impact guards made only if suitable after fitting anti tips, push handles etc.)

<input type="checkbox"/>	Front hanger impact guards - Webbing Fabric	AD16400
<input type="checkbox"/>	Front hanger impact guards - Neoprene	AD16401
<input type="checkbox"/>	Grab bar impact guards	AD16420
<input type="checkbox"/>	Bottom bar impact guards	AD16422

**SEAT BELT**

<input type="checkbox"/>	Car buckle	AD16522
<input type="checkbox"/>	Plastic buckle	AD16500
<input type="checkbox"/>	Body Point - Size/Style:	

**ACCESSORIES**

<input type="checkbox"/>	Tray - pronged	AD17010
<input type="checkbox"/>	Tray - slides over armrests	AD17000
<input type="checkbox"/>	Tie down mounts	AD10320

Client Name: \_\_\_\_\_

Chair Serial No.: \_\_\_\_\_

**STANDARD REAR WHEELS (for BMX - see Spare Wheels)**

		20	22	24
Spoked	Std	<input type="checkbox"/>	<input type="checkbox"/>	<input type="checkbox"/>

**PERFORMANCE REAR WHEELS**

		20	22	24
Spinergy L Spox (18 spoke)	AD13300			<input type="checkbox"/>
Spinergy LX Lite (12 spoke)	AD13310		<input type="checkbox"/>	<input type="checkbox"/>
Spinergy LX with FlexRim (black only)	AD13315			<input type="checkbox"/>
Spinergy Blade (18 spoke)	AD13313		<input type="checkbox"/>	<input type="checkbox"/>
Custom wheel (specify below)	-		<input type="checkbox"/>	<input type="checkbox"/>

**SPINERGY SPOKE COLOUR (Optional)**

*(Colour spokes not available on Carbon, Sports and FlexRim wheels)*

Spinergy L Spox  
 Black  Red  Blue  White  Yellow

Spinergy LX, Spinergy Blade  
 Black  Red  Blue  White  Yellow  
 Green  Purple  Pink  Orange

Custom -

**AXLES**

<input type="checkbox"/> Quick Release	Std	
<input type="checkbox"/> Quad Release	AD12500	

**TYRES**

		20	22	24
1" HP Smooth	Std	<input type="checkbox"/>	<input type="checkbox"/>	<input type="checkbox"/>
1" HP Tread	Std			<input type="checkbox"/>
1" Solid	Std		<input type="checkbox"/>	<input type="checkbox"/>
1-3/8" Tread	Std	<input type="checkbox"/>	<input type="checkbox"/>	<input type="checkbox"/>
1-3/8" Solid	Std	<input type="checkbox"/>	<input type="checkbox"/>	<input type="checkbox"/>
1.75" Smooth (only 20" rim)	Std	<input type="checkbox"/>		
1-3/8" Kenda HP Tread	AD13710			<input type="checkbox"/>
1-3/8" Knobbly V-Trak	AD13715			<input type="checkbox"/>
1" Kenda Ironcap Blue	AD13700			<input type="checkbox"/>
1" Kenda Konstrictor	AD13720			<input type="checkbox"/>
1" Schwalbe Right Run	AD13740		<input type="checkbox"/>	<input type="checkbox"/>
1" Schwalbe Marathon Plus Evo	AD13750			<input type="checkbox"/>
1-3/8" Schwalbe Marathon Plus Evo	AD13751			<input type="checkbox"/>
Custom -		<input type="checkbox"/>	<input type="checkbox"/>	<input type="checkbox"/>

**PUSHRIMS**

		20	22	24
<input type="checkbox"/> Nil				
Hard Anodised	Std	<input type="checkbox"/>	<input type="checkbox"/>	<input type="checkbox"/>
Vinyl	AD13830	<input type="checkbox"/>	<input type="checkbox"/>	<input type="checkbox"/>
Foam	AD13840		<input type="checkbox"/>	<input type="checkbox"/>
Rubber coated (black)	AD13850		<input type="checkbox"/>	<input type="checkbox"/>
Surge Lite	AD13864		<input type="checkbox"/>	<input type="checkbox"/>
Natural Fit Lite	AD13860		<input type="checkbox"/>	<input type="checkbox"/>
<input type="checkbox"/> With thumb grip <input type="checkbox"/> Without thumb grip				
Max Greppe	AD13870			<input type="checkbox"/>
Stainless Steel	AD13810		<input type="checkbox"/>	<input type="checkbox"/>
Spinergy Stainless Textured	AD13811		<input type="checkbox"/>	<input type="checkbox"/>
Spinergy Max Stainless Textured (Ergo)	AD13812			<input type="checkbox"/>
Q Grips	AD13865			<input type="checkbox"/>
Carbolife (only for 24")	AD13868			<input type="checkbox"/>
<input type="checkbox"/> Curve <input type="checkbox"/> Curve Large				
<input type="checkbox"/> Curve Tetra <input type="checkbox"/> Curve Tetra Large				
<input type="checkbox"/> Gekko <input type="checkbox"/> Gekko S				
<input type="checkbox"/> Quadro				

**PUSHRIMS - Position**

Std  In Close  On to rim

**SPOKEGUARDS**

<input type="checkbox"/> Clear polycarb	AD13900	
<input type="checkbox"/> Black ABS	AD13901	
<input type="checkbox"/> Custom design (specify below)	AD13910	
Design name -		

**SPARE REAR WHEELS**

BMX Wheels  Extra Wheels

Description:

Size:

Tyre:

Pushrim:

Setting:

To interchange with:

Client Name: \_\_\_\_\_

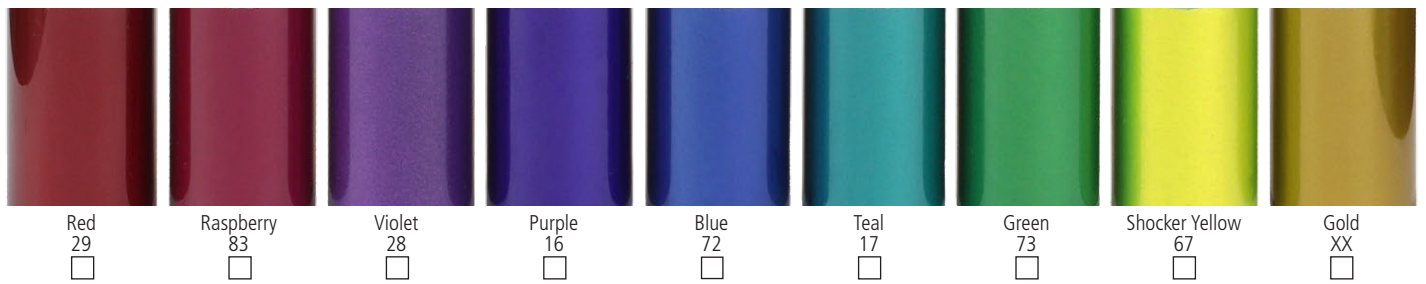
Chair Serial No.: \_\_\_\_\_

FRAME COLOURS - For Aluminium frames

STANDARD COLOURS



GLASS COLOURS



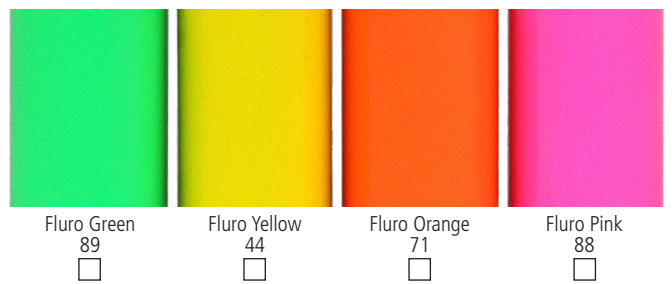
CANDY COLOURS



CANDY COLOURS (SPECIAL)



FLUORESCENT COLOURS



**THIS IS A GUIDE TO COLOURS ONLY, HOW COLOURS APPEAR ON YOUR MONITOR OR WHEN PRINTED OUT MAY VARY.**  
 Talk to us if you want your Titanium frame coloured or polished. *Colour availability is subject to change without notice.*