

# Gazelle Jnr Script Form

## Tennis Sports Wheelchair

90826



**To Order** Fill in the frame dimensions and features required. For variations describe in detail on a separate page. If you have any further questions contact us at the address at the bottom of the page.

Date _____	Delivery details _____				
Name _____	_____				
Address _____	_____				
_____	_____				
Phone _____	_____				
Fax / Cell _____	Required by _____				
Email _____	(Delivery is normally 4-6 weeks from order confirmation)				
Disability _____	Grading _____	Weight _____	Height _____	Shoe Size _____	T-Shirt Size _____

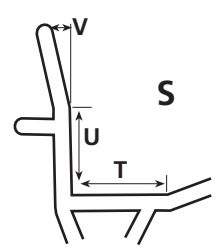
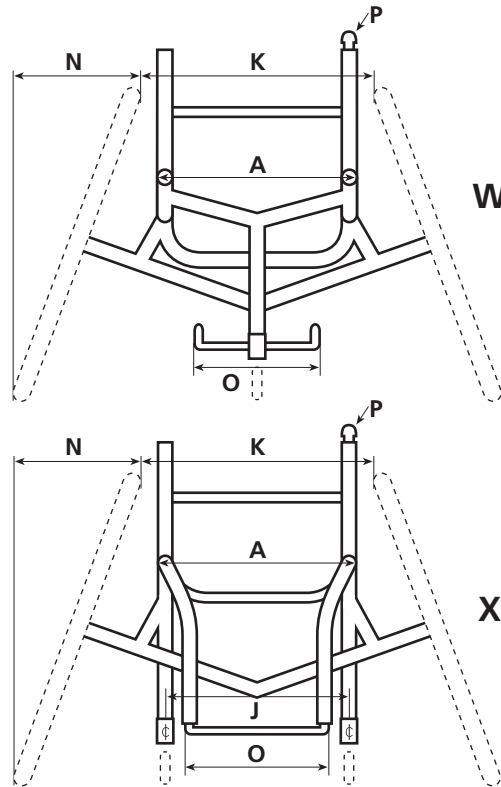
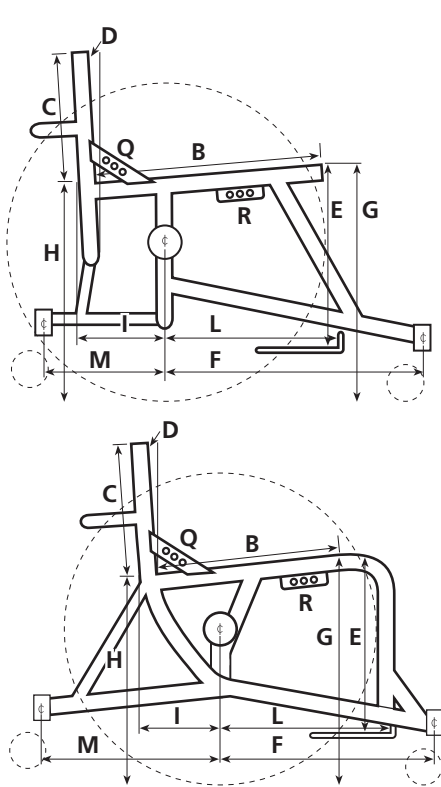
### MEASUREMENTS (Refer to diagrams)

- A** Seat Width - Rear \_\_\_\_\_  
(max. seat width 16")
- A** Seat Width - Front \_\_\_\_\_  
(max. seat width 16")
- A** Back Width \_\_\_\_\_
- B** Seat Length \_\_\_\_\_
- C** Back Height \_\_\_\_\_
- D** Back Angle° \_\_\_\_\_
- E** Seat to Foot-plate \_\_\_\_\_
- F** Wheelbase \_\_\_\_\_  
(centre of camber bar to centre of castor pivot)
- G** Seat to Floor - Front \_\_\_\_\_
- H** Seat to Floor - Rear \_\_\_\_\_
- I** Balance Point \_\_\_\_\_
- J** Pivot Centres \_\_\_\_\_
- K** Between Wheels \_\_\_\_\_
- L** Foot-plate Position \_\_\_\_\_

### FRAME MATERIALS Aluminium only (std)

- M** Anti-Tip Position \_\_\_\_\_
- N** Camber \_\_\_\_\_
- O** Foot-plate Width \_\_\_\_\_
- P**  Flexible Backpost Cap AD20310
- Q**  Binding Mounts  
(fixed back height only)
- R**  Binding Mounts  
(seat rail mounted) AD20315
- S**  Ergo Seat AD10220
- T** Ergo Seat - Length \_\_\_\_\_
- U** Ergo Back - Height \_\_\_\_\_
- V** Ergo Back - Angle \_\_\_\_\_
- STYLE**
- W**  3 wheel (excluding anti-tips)
- X**  4 wheel

**IMPORTANT Foot-plate Width**  
When measuring across feet you must add 2" (50mm)



# Gazelle Junior Script Form

Tennis Sports Wheelchair

Name \_\_\_\_\_

## FOOTPLATE

- No footplate       Alloy tube footplate (std)       Alloy footplate cover **AD11690**       Angle adj footplate **AD11520**

## ANTI-TIPS

- Single swivel **AD15100**       Twin swivel **AD15150**       Single swivel custom height adjustable **AD15101**

## BEARINGS

- Standard bearings       Melrose hybrid ceramic bearings **AD20400**

## CASTORS

- Rollerblade 72mm       Rollerblade 76mm       Rollerblade 80mm       Other \_\_\_\_\_

## UPHOLSTERY

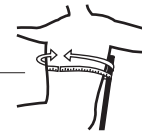
- Seat sling (std)       Adjustable back upholstery       No cushion       Cushion 3" **AD16203**  
 Seat sling wrap-around      adjustable width/height (std)       Cushion 1" **AD16201**       Cushion 1" (high density) **AD16221**  
 Solid seat **AD18030**       Cushion 2" **AD16202**       Cushion 2" (high density) **AD16220**

## SKIRT GUARDS

- No skirt guards       Fabric skirt guards **AD16100**       Alloy skirt guards **AD16125** (height) \_\_\_\_\_  
(welded to alloy frame, bolted to titanium frame)  
 ABS rigid skirt guards **AD16111** (height) \_\_\_\_\_

## STRAPS, IMPACT GUARDS

- Front hanger covers **AD16400**       Hip strap - webbing **AD16510**       Knee - ratchet **AD16351**  
 Back bar cover **AD16420**       Hip strap - ratchet **AD16550**       Leg strap **AD16330**  
 Foot strap - webbing (std)       Chest strap **AD45210**  
(measure around your chest and seat back)  
 Foot strap - ratchet **AD16350**



## ACCESSORIES

- Wheel bag (black with choice of trim colour) **AD16780** (Choose your trim colour) **Bk R Bl Y Gr Pk Pu**       Custom Wheel Bag **AD16781**  
(describe below)

## ADDITIONAL NOTES

(you can type here)

# Gazelle Junior Script Form

Tennis Sports Wheelchair

Name \_\_\_\_\_

**WHEELS****TYRES****20"****20"**

- Spoked Wheels (std)
- Spinergy Blade Wheels (24 spoke, black spokes only) **AD13317**

- 20" x 1" Smooth High Pressure (std)

**22"****22"**

- Spoked Wheels (std)
- Spinergy Blade Wheels (24 spoke, black spokes only) **AD13317**

- 22" x 1" Smooth High Pressure (std)

**24"****24"**

- Spoked Wheels (std)
- Spinergy SL Wheels (24 spoke, black spokes only) **AD13410**

- 24" x 1" Kenda Ironcap Blue (std)
- 24" x 1" Schwalbe Right Run **AD13740**

**PUSH-RIMS**

- Anodised alloy (std)       Rubber coated (red) **AD13845**       Vinyl coated **AD13830**

**PUSH-RIMS - POSITION**

- Standard       In close       Onto rim

**SPARE WHEELS as above**

- Spoked Wheel 20"/22" **AD13508** (quantity) \_\_\_\_\_
- Spinergy Blade Wheel 20"/22" **AD13630** (quantity) \_\_\_\_\_
- Spoked Wheel 24" **AD13507** (quantity) \_\_\_\_\_
- Spinergy SL Wheel 24" **AD13641** (quantity) \_\_\_\_\_

**TYRES, TUBES and AXLES on SPARE WHEELS**

- Tube fitted **AD13695** (quantity) \_\_\_\_\_
- Smooth High Pressure Tyre 20"/22" **AD13702** (quantity) \_\_\_\_\_
- Kenda Tyre fitted 24" **AD13701** (quantity) \_\_\_\_\_
- Schwalbe Tyre fitted 24" **AD13741** (quantity) \_\_\_\_\_
- Axle 1/2" **AD12508** (quantity) \_\_\_\_\_

**PUSH RIMS for SPARE WHEELS as above**

- Push-Rim Anodised **AD13858** (quantity) \_\_\_\_\_
- Push-Rim Rubber Coated (Red) **AD13846** (quantity) \_\_\_\_\_
- Push-Rim Vinyl Coated **AD99999** (quantity) \_\_\_\_\_

**EXTRA AXLES**

- Axles 1/2" **AD12514** (quantity) \_\_\_\_\_

**EXTRA BEARINGS**

- Steel R8 1/2" **AD20405** (quantity) \_\_\_\_\_
- Ceramic R8 1/2" **AD20407** (quantity) \_\_\_\_\_

**ADDITIONAL NOTES**

(you can type here)

Name \_\_\_\_\_

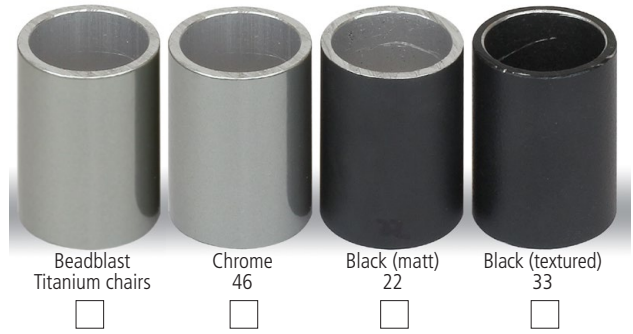
### ATTENTION

**THIS IS A GUIDE TO COLOURS ONLY, how colours appear on your monitor or when printed out may vary.**

Talk to us if you want your Titanium frame coloured or polished.

*Colour availability is subject to change without notice.*

#### STANDARD & ENABLE CLIENT COLOURS



#### GLASS COLOURS



#### CANDY COLOURS



#### CANDY COLOURS (SPECIAL)



#### FLUORESCENT COLOURS

