

Shower Chair Script Form

Foldable Toilet & Shower Wheelchair 90800



To Order Fill in the frame dimensions and features required. For variations describe in detail on a separate page. If you have any further questions contact us at the address at the bottom of the page.

SEND FORM
If online, click here to send via e-mail

Date _____ Delivery details _____
 Name _____
 Address _____

 Phone _____
 Fax / Cell _____
 Email _____

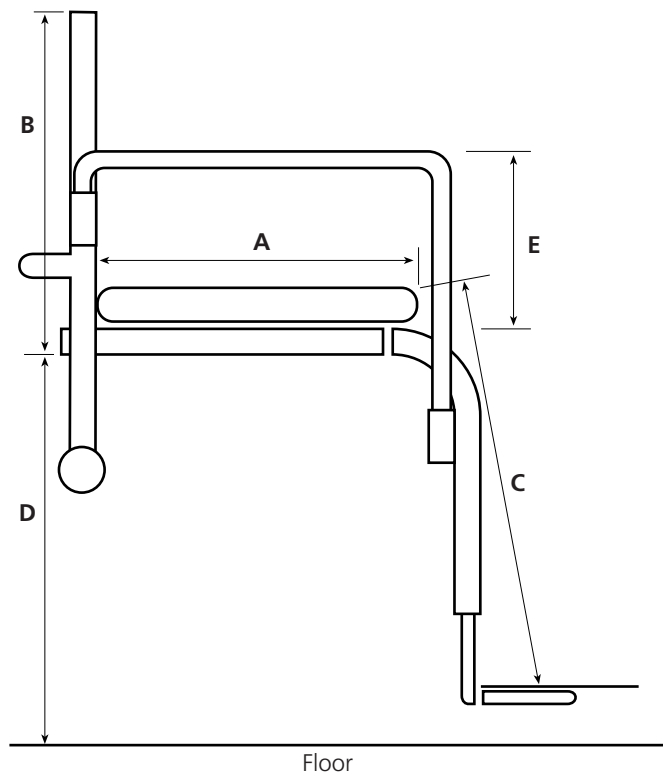
Required by _____
 (Delivery is normally 4-6 weeks from order confirmation)

Disability _____ Grading _____ Weight _____ Height _____ Shoe Size _____ T-Shirt Size _____

MEASUREMENTS (Refer to diagram)

Seat Width **std 16"** _____ C Seat to footplate **std adjustable** _____ Castors **std 5"** _____
 A Seat Length **std 16"** _____ D Seat to floor **std 20"** _____ Rear Wheels **std 20"** _____
 B Back Height **std 16"** _____ E Armrests **std 11"** _____
 (from seat base)

FABRICATION NOTES (you can type here)



Shower Chair Script Form

Foldable Toilet & Shower Wheelchair

Name _____

CASTORS

- 5" braked 5" unbraked

WHEELS

- Standard composite 20"
 Standard cross spoked 20"
 Other _____

TYRES

- Solid
 Pneumatic

PUSHRIMS

- Hard anodised only standard

SEAT

- 12" standard oval padded vinyl toilet seat
 Other _____

PAN CARRIER

- Removable pan carrier and pan

BAG

- Carry bag for chair

TRANSIT OPTION

- 2 locking front castors and 2 fixed rear castors

COLOUR

White only

OTHER VARIATIONS

(you can type here)